

For reference only. See data sheet for the detailed specifications.

## Technical Specification



Frequency Range(GHz)	23.0 – 44.0
Waveguide	WR28
Gain(dBi)	20 Typ.
Polarization	Linear
3dB Beamwidth(deg)	E Plane: 12 Typ.
	H Plane: 14 Typ.
Cross Pol. Isolation(dB)	40 Typ.
VSWR	1.50:1 Max.
Connector	2.4mm-Female or 2.92mm-Female
Material	Al
Finish	Gold Plated, Gray Paint
Size(mm)	47.2 x 47.2 x 152.4
Net Weight(Kg)	0.09 Around

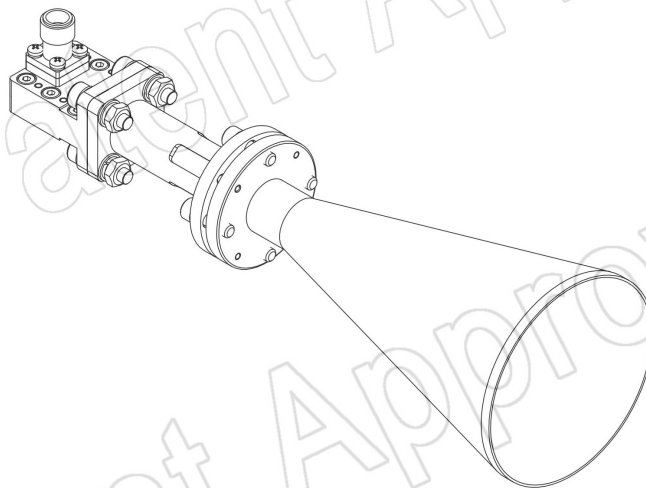
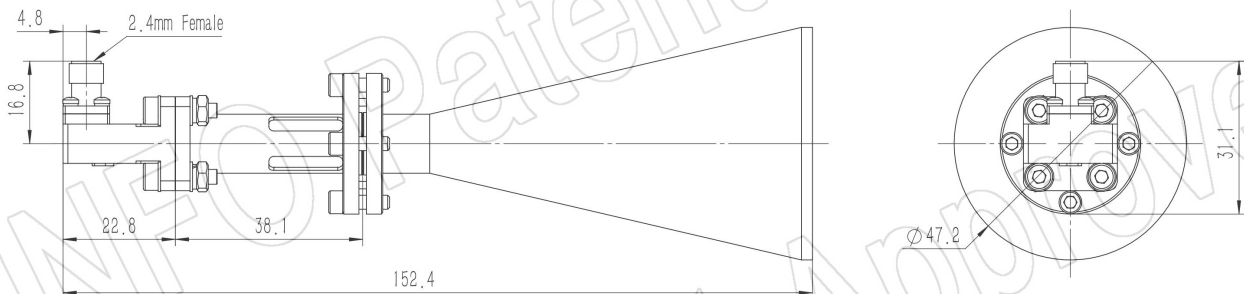
PATENT ID (China)

ZL202220615760.3, ZL202130553080.4

## Outline Drawing (Size: mm)

2.4mm-Female Output (P/N: LB-CNH-28-20-63-C-2.4F)

For 2.92mm-Female output outline drawing, please contact A-INFO.



**AINFO Inc.**

China(Beijing):  
China(Chengdu):  
USA :

Tel: (+86) 10-6266-7326,  
Tel: (+86) 28-8519-2786,  
Tel: (+1) 949-639-9688,

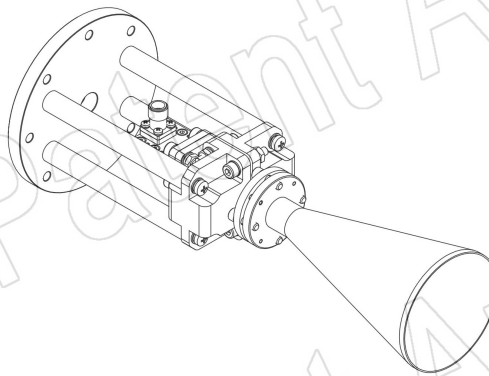
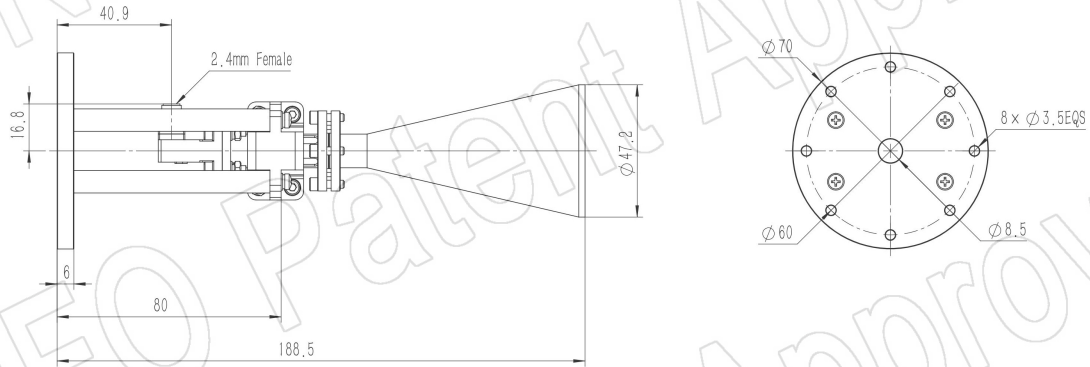
(+86) 10-6266-7327  
(+86) 28-8519-3044  
(+1) 949-639-9608

Fax: (+86) 10-6266-7379  
Fax: (+86) 28-8519-3068  
Fax: (+1) 949-639-9670

Website: [www.ainfoinc.com](http://www.ainfoinc.com)  
Email: [sales@ainfoinc.com](mailto:sales@ainfoinc.com)

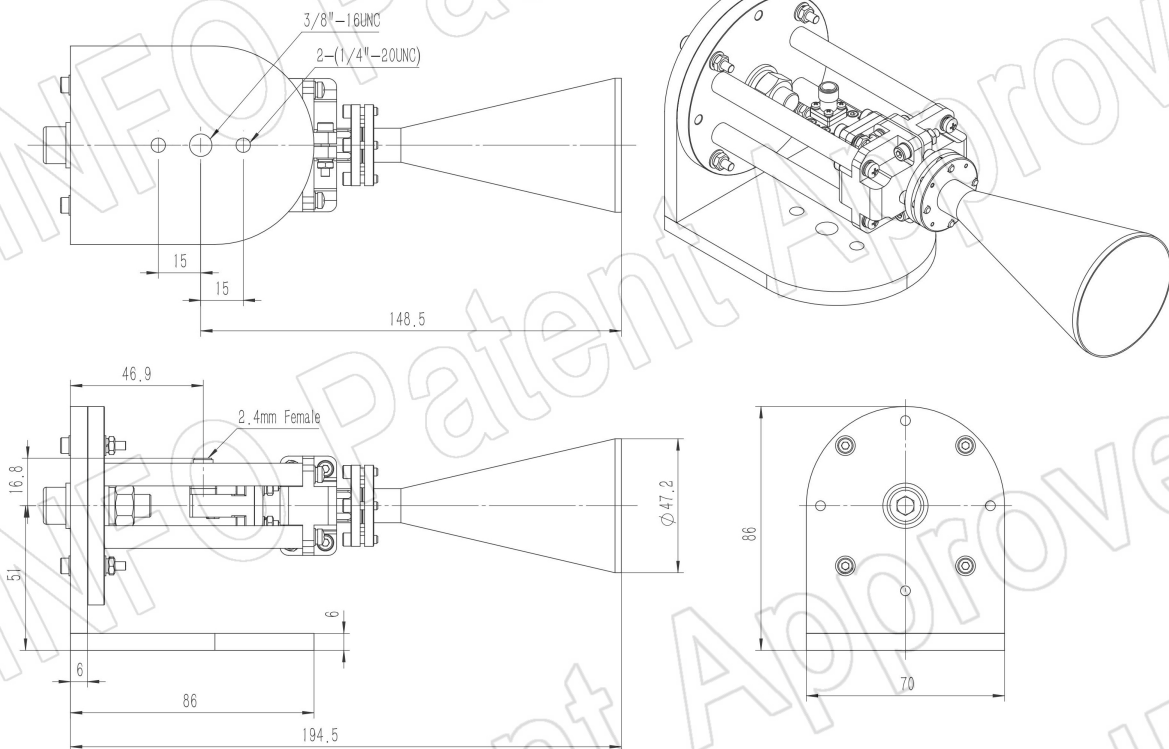
## 2.4mm-Female Output with Round Mounting Bracket (Option, P/N:LB-CNH-28-20-MB)

For 2.92mm-Female output outline drawing, please contact A-INFO.



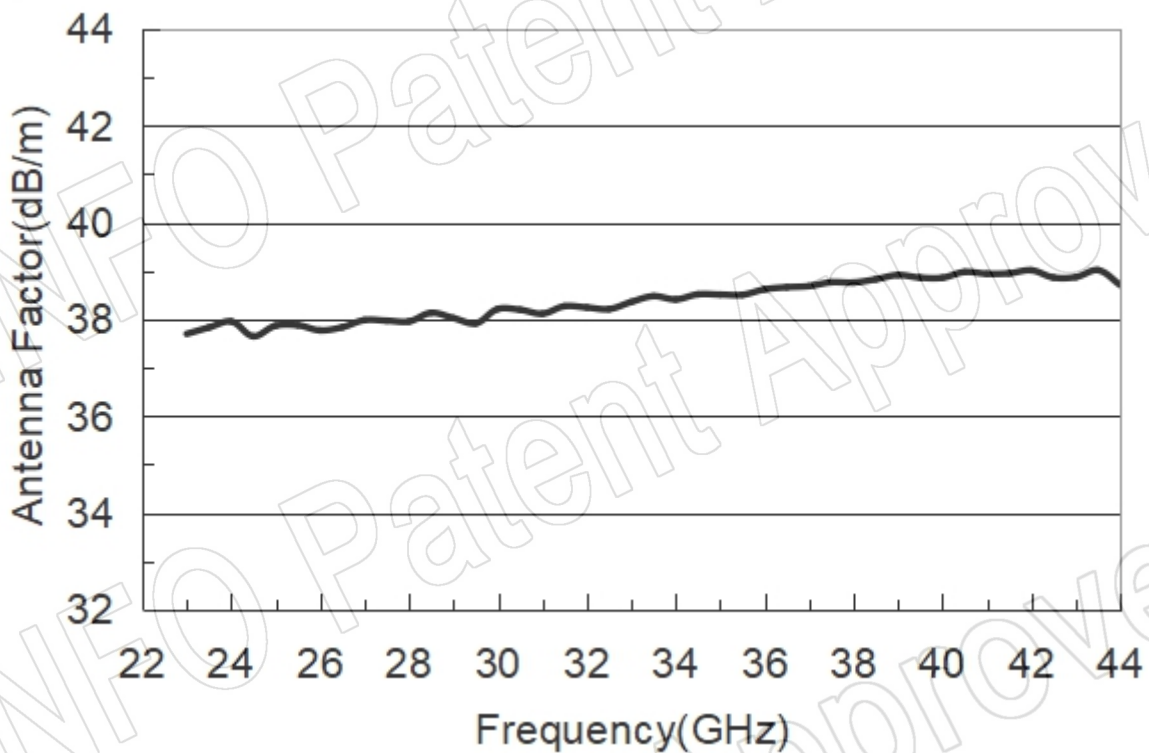
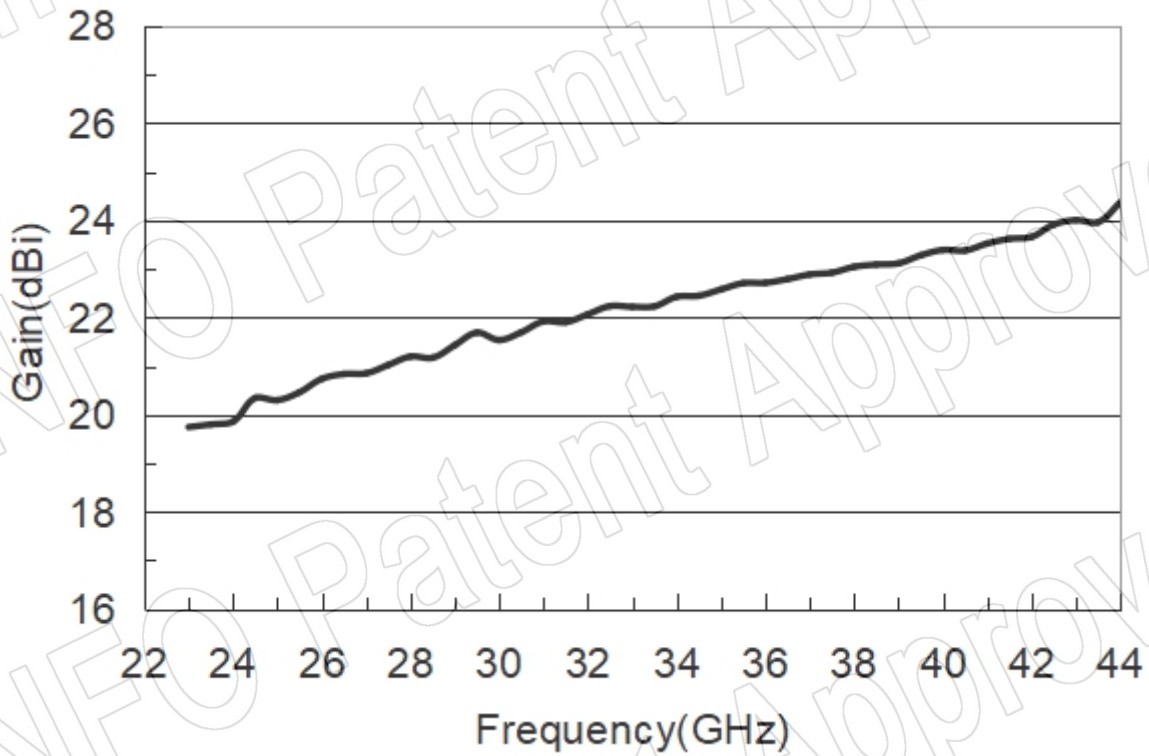
## 2.4mm-Female-Female Output with L Type Mounting Bracket (Option, P/N:LB-CNH-28-20-MBL)

For 2.92mm-Female output outline drawing, please contact A-INFO.

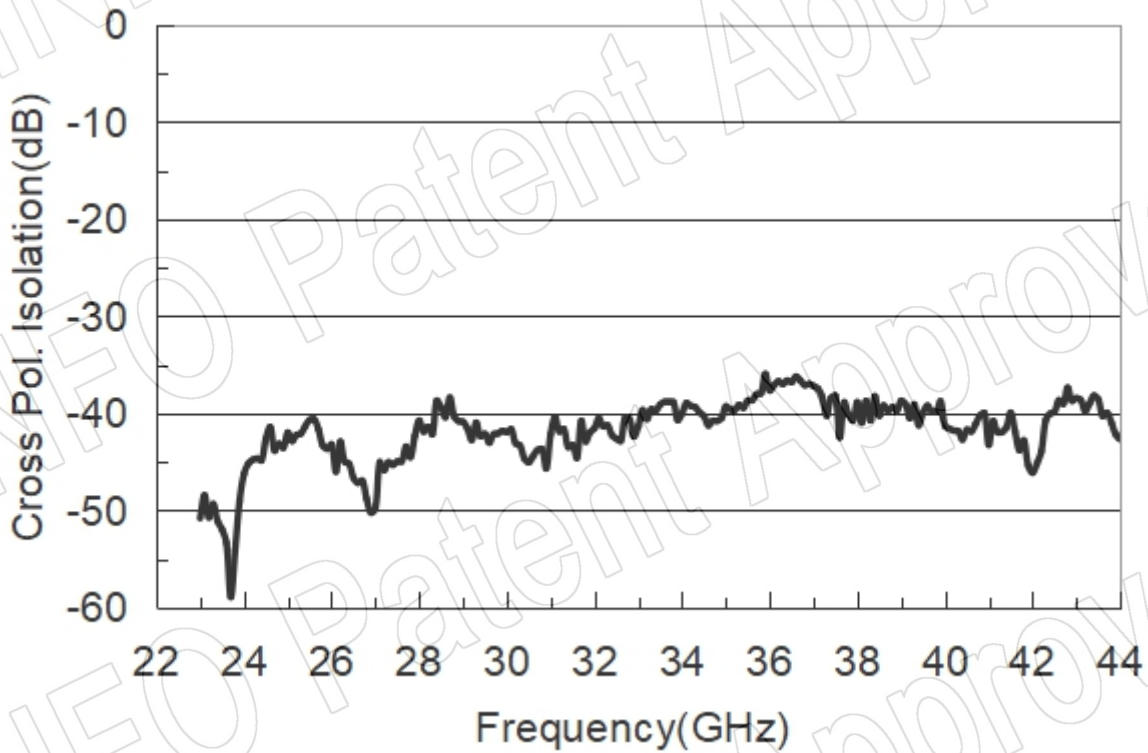


## Test Results

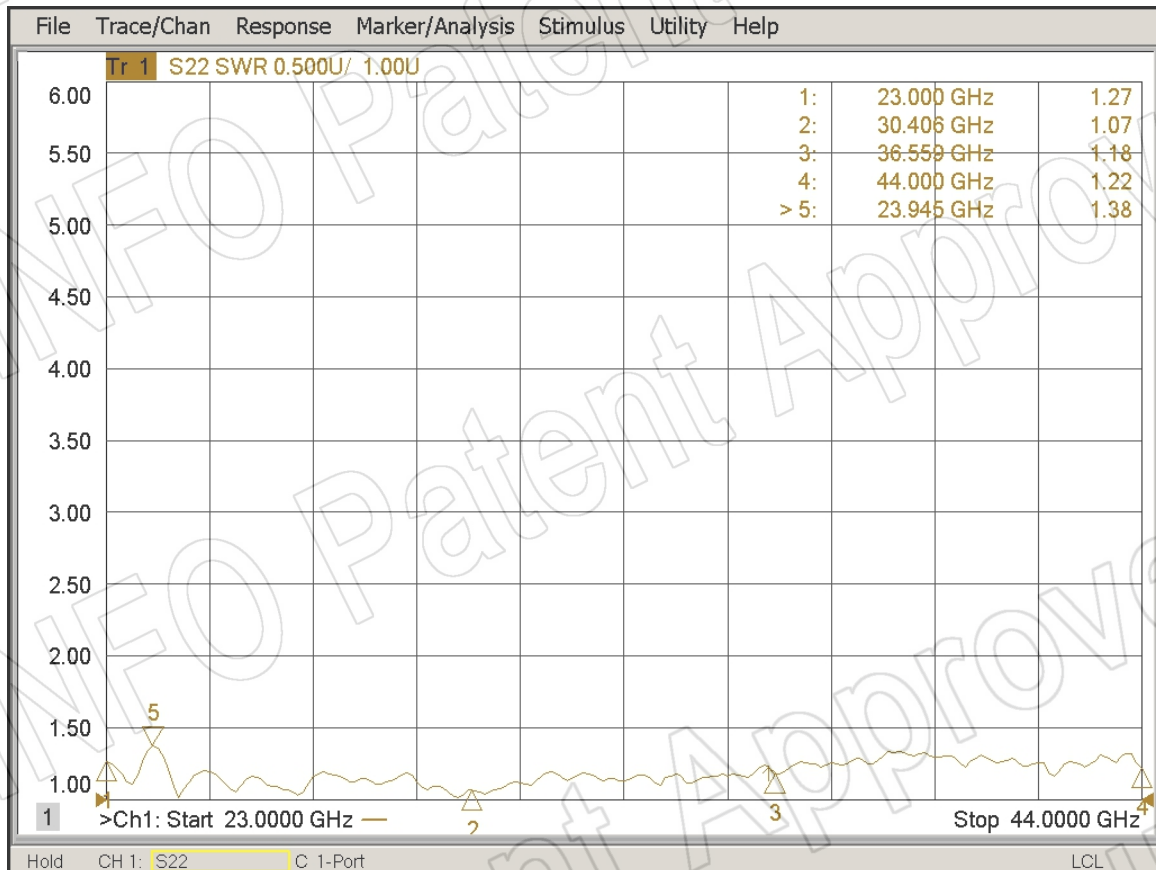
### 1. Gain & Antenna Factor



## 2. Cross Polarization Isolation



## 3. VSWR



## 4. Pattern

